



User's Manual

10,000 BTU Room Air Conditioner
Model: SCA103RWB1



Table of Contents

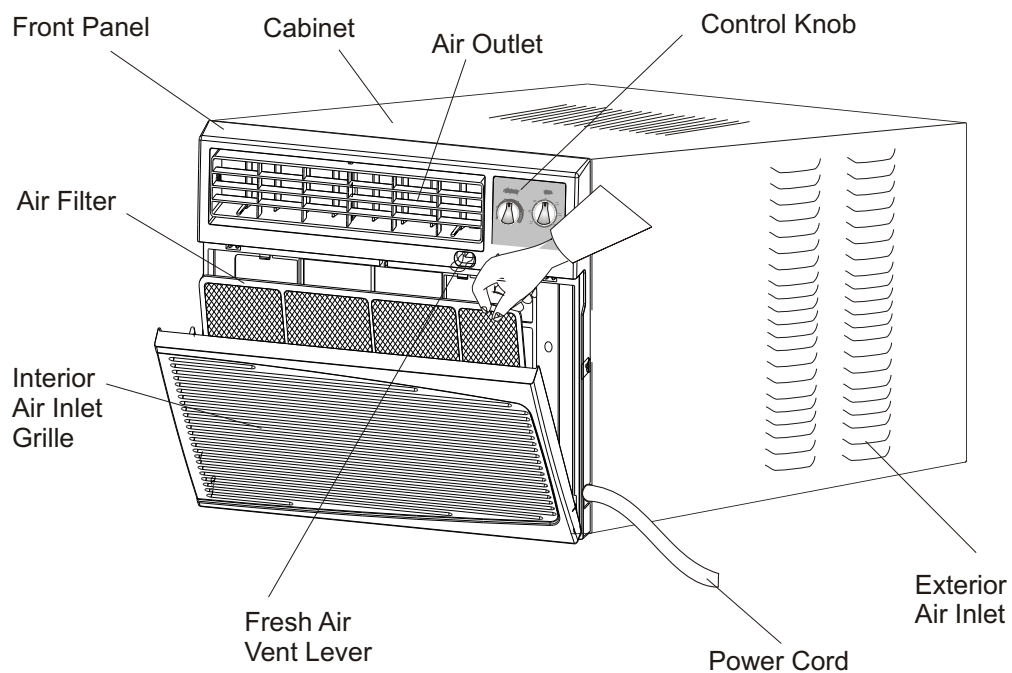
	Page
Introduction	2
Parts Identification	2
Electrical Specifications	4
Tips Before Installation	5
Installation Instructions	6
Operating Instructions	11
Care and Maintenance	15
Troubleshooting Guide	16

Introduction

Thank you for choosing this room air conditioner to cool your home. This **USE AND CARE MANUAL** provides information necessary for the proper care and maintenance of your new room air conditioner. If properly maintained, your air conditioner will give you many years of trouble free operation. To avoid installation difficulties, read instructions completely before starting. This manual contains information for the installation and operation of your room air conditioner.

Part Identification

► Mechanical control model



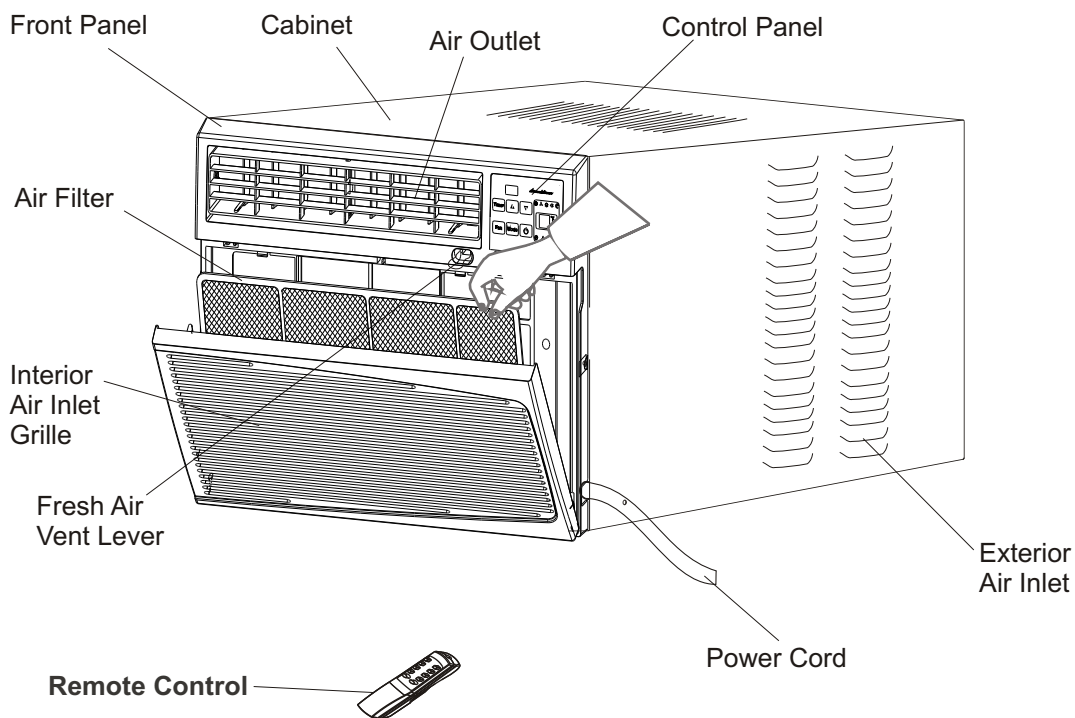
Note:

The figures in this manual are based on the external view of a standard model. Consequently, the shape may differ from that of the air conditioner you have selected.

Introduction

Part Identification

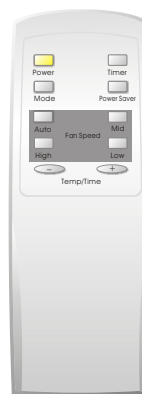
► Remote control model



Control Panel



Remote Control



Note:

The figures in this manual are based on the external view of a standard model. Consequently, the shape may differ from that of the air conditioner you have selected.

Electrical specifications

1. All wiring must comply with local and national electrical codes and must be installed by a licenced electrician. If you have any questions regarding the following instructions, contact a licenced electrician.
2. Check available power supply and resolve any wiring problems **BEFORE** installing and operating this unit.
3. For your safety and protection, this unit is grounded through the power cord when plugged into a matching wall outlet. **If you are not sure whether your wall outlet is properly grounded, please consult a licenced electrician.**
4. The wall outlet (3-pin) must match the plug (3-pin) on the power cord supplied with the unit. DO NOT use plug adapters or extension cords. See (Table 1) for receptacle and fuse information.
5. The rating plate on the unit contains electrical and other technical data. The rating plate is located on the right side of the unit. Make sure to use the correct power supply according to the rating plate of your air conditioner.

Electric Shock Hazard ⚡ ⚠

If the air conditioner has a serial plate rating of 115 volts and up to and including 7.5 amps, the unit maybe on a fuse or circuit breaker with other devices. However, the maximum amps on all devices for that fuse or circuit breaker can not exceed the amps of the fuse for the circuit breaker.

If the air conditioner has a serial plate rating of 115 volts and greater than 7.5 amps it must have its own fuse or circuit breaker, and no other device or unit should be operated on the fuse or circuit breaker.

If the air conditioner has a serial plate rating of 230 volts, it must have its own fuse or circuit breaker, and no other device or unit should be operated on the fuse or circuit breaker.

To avoid the possibility of personal injury, disconnect power to the unit before installing or servicing.





RECEPTACLE AND FUSE TYPES				
COOLING CAPACITY	10K-12K (Cooling only)	18K(Cooling only) 10K-12K(With heating)	24K (Cooling only)	18K-24K (With heating)
RATED VOLTS	125	250	250	250
AMPS	15	15	20	30
WALL OUTLET				
FUSE SIZE	15	15	20	30

Table 1

Tips before installation

Your Room Air Conditioner unit is designed to be highly efficient and save energy. Follow these recommendations for greater efficiency.

1. Select thermostat setting that suits your comfort needs and leave the thermostat at that chosen setting.
2. The air filter is very efficient in removing airborne particles. Keep the air filter clean. Typically, the filter should be cleaned once a month. More frequent cleaning may be necessary depending on outdoor and indoor air quality.
3. Use drapes, curtains, or shades to keep direct sunlight from heating your room, but **DO NOT** obstruct the air conditioner. Allow air to circulate around the unit without obstructions.
4. Start your air conditioner before outdoor air becomes hot/cold and uncomfortable. This avoids an initial period of discomfort while the unit is cooling or heating off the room.
5. When outdoor temperature is cool enough, use **HIGH** or **LOW FAN** only. This circulates indoor air, providing some cooling comfort, and utilizes less electricity than when operating on a cooling setting.

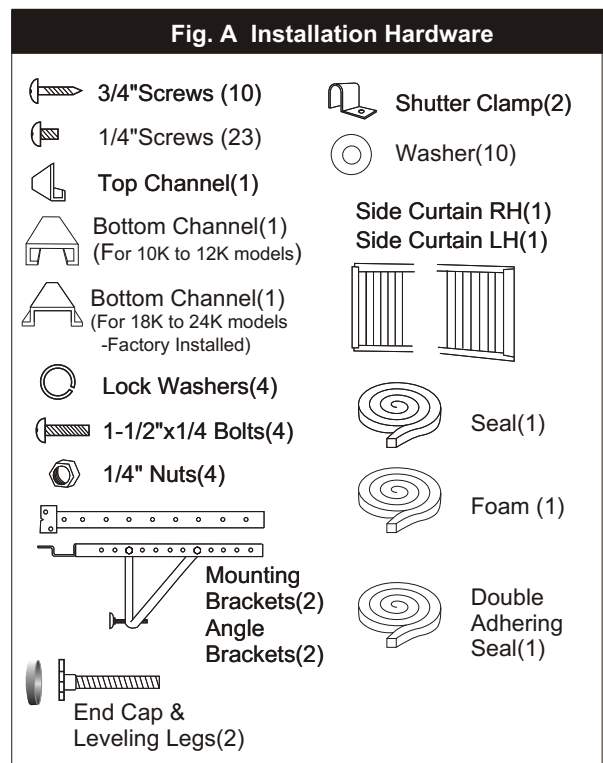
Your Room Air Conditioner was designed for easy installation in a single or double-hung window. **NOTE:** This unit is **NOT** designed for vertical (slider type) windows.

CAUTION

To avoid installation/operating difficulties, read the instructions thoroughly.

NOTE: Save the shipping carton and packing materials for future storage or transport of the unit. Please check the contents of the hardware kit against the corresponding model check list, prior to installation of the unit.

See lists below. (Fig.A)



NOTE: Surplus screw(s) for spare use.

Tools Needed for Window Installation
 Screw drivers: Both Philips and flat head
 Power drill: 1/8 inch diameter drill bit
 Pencil
 Measuring tape
 Scissors
 Carpenters level

Installation instructions

⚠ CAUTION ⚠

Because the compressor is located on the controls side of the unit (right side), this side will be heavier and more awkward to manipulate. Inadequate support on control side of the unit can result in personal injury and damage to your unit and property. Therefore, it is recommended to have someone assist you during the installation of this unit.

1. Select the Best Location

A. Your room air conditioner was designed to fit easily into a single or double hung window. However, since window designs vary, it may be necessary to make some modifications for safe and proper installation.

B. Make sure window and frame is structurally sound and free from dry and rotted wood.

C. For maximum efficiency, install the air conditioner on side of the house or building which favors more shade than sunlight. If the unit is in direct sunlight, it is advisable to provide an awning over the unit.

D. Provide sufficient clearance around the cabinet to allow for ample air circulation through the unit. See (Fig.B). The rear of the unit should be outdoors and not in a garage nor inside of a building. Keep unit as far away as possible from obstacles and obstructions and at least 30" above the floor or ground. Curtains and other objects within a room should be prevented from blocking the air flow.

E. Be certain the proper electrical outlet is within reach of the installation. Use only a single outlet circuit rated at proper current (see table 1 on page 4). All wiring should be in accordance with local and national electrical codes.

F. Your unit was designed to evaporate condensation under normal conditions. However, under extreme humidity conditions, excess condensation may cause the basepan to overflow to the outside. The unit should be installed where condensation run-off cannot drip on pedestrians or neighboring properties.

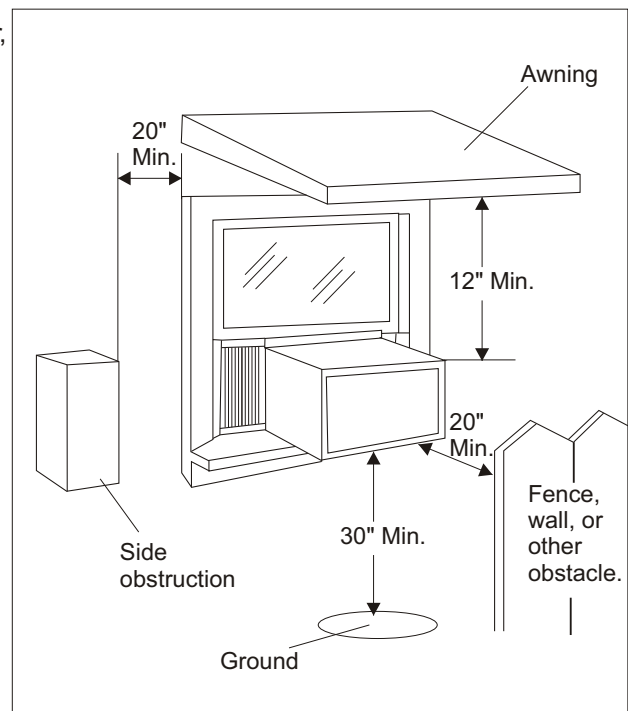


Fig.B

Window opening requirements (see table below)

Size \ Model	10K	12K	18-24K
Cabinet size (W*H*D)	20.5" *14.8" *23.1"	22.8" *15.7" *24.1"	26.5" *18.5" *26.9"
Min. Window opening	24"	27"	30"
Max. Window opening	38"	41"	44"

Installation instructions

2. Preparation to Remove the Air Conditioner Slide-Out Chassis

A. Remove total of (4) Philips screws securing the chassis to the cabinet. There are (2) screws on each side. The set of screws closest to the front of the unit secure the front panel to the cabinet. The set of screw closest to the rear of the unit secure the cabinet to the chassis. See (Fig. 1).

B. Remove the front panel assembly from the cabinet by gently pulling it.

C. Grasp the pull handle at the front of the slide-out chassis and carefully slide the air conditioner out of the cabinet. See (Fig. 2).

Please seek assistance for this procedure.

NOTE: Screws must be reinstalled upon completion of the window installation to secure slide-out chassis.

3. Assembly of the upper & lower channels to the cabinet

A. "L" Shaped Top Channel: Stick the double adhering seal to the "L" shaped top channel, and then install the "L" shaped top channel to the cabinet as shown in (Fig. 3) using (5) 1/4" screws.

B. "n" Shaped Bottom Channel installed as shown in (Fig. 3) using (4) 1/4" screws.

NOTE: For 18K to 24K models, the bottom channel has been factory-installed, and their shapes may differ from the others, but their functions are similar.

4. Assembly of the side shutters (curtains) to the cabinet.

Slide the shutters into the top and bottom channels as shown in (Fig. 4). The shutters are identified (on each frame) as "left" & "right". Attach the shutters to the cabinet using (4) 1/4" screws on each side.

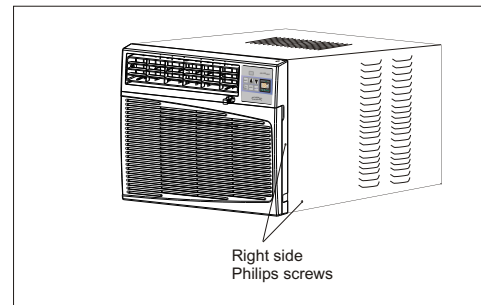


Fig. 1

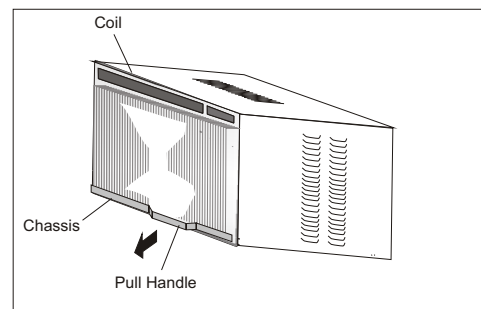


Fig. 2

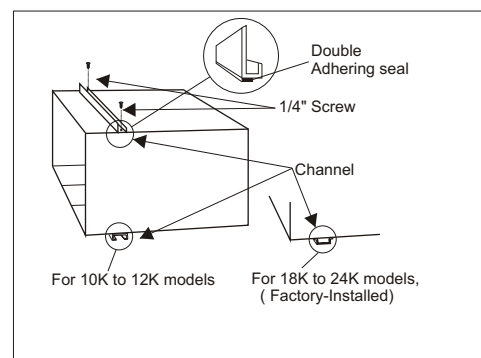


Fig. 3

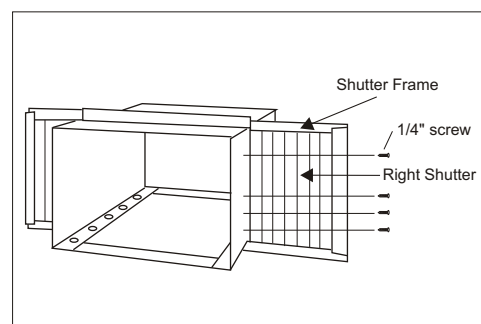


Fig. 4

Installation instructions

5. Installation of Mounting Brackets and First Sealing Strip

NOTE: Windows come in a variety of different styles. Therefore, it may be necessary to modify or improve your particular installation.

A. Attach the **bracket assembly to 90° angle support brackets** (Fig. 5) using (2) **1 1/2" bolts** Two bolts per bracket. Secure with the (2) **1/4" lock washers** and (2) **1/4" nuts. DO NOT** immediately tighten these bolts as it may be necessary to adjust the depth of the **bracket assembly**, depending on the depth of your window sill. See (Fig. 7). Install the two **leveling screws** into the 90° support brackets. Test the bracket assembly in the window before cabinet installation. If the leveling screws are distanced too far away from the wall to provide stability, it may be necessary for you to fill this area with a solid piece of wood. See (Fig. 8).

B. Measure the inside window sill width and find the center as shown in (Fig. 6). Align the **V-slot** in each bracket on these marks and mount the brackets to the sill using **3/4" screws** provided. Brackets should be perpendicular to the inside window sill. See (Fig. 6).

C. For proper condensation run-off it will be necessary to adjust the angle/pitch of the window brackets. This is accomplished by adjusting the distance of the leveling screw on the outer wall. The maximum angle/pitch should not exceed more than 3/16". See (Fig. 7).

D. Cut the **seal strip** to fit the underside of the bottom **window sash**. Remove the peel-off backing on the seal and attach it to this sash. See (Fig. 9).

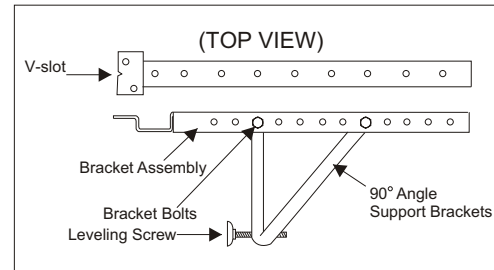


Fig. 5

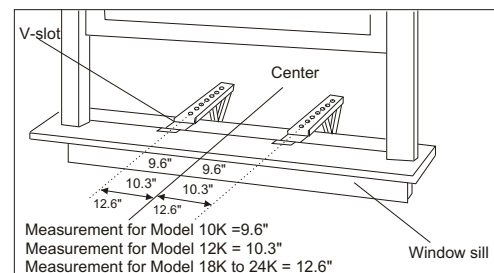


Fig. 6

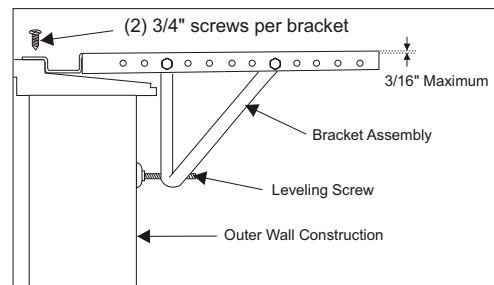


Fig. 7

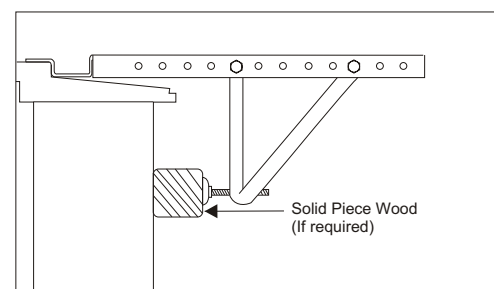


Fig. 8

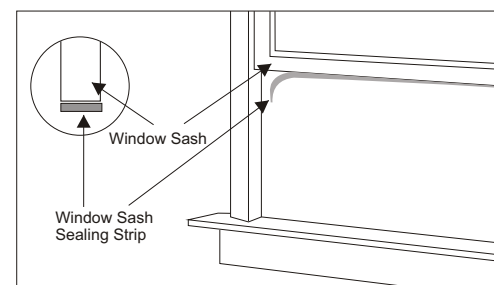


Fig. 9

CAUTION

Use a solid piece of wood to provide stability. This will be required when sills are extra deep. See (Fig. 8).

Installation instructions

6. Installation of the cabinet

A. Align one hole in the bottom of the cabinet with one hole in the bracket assembly. Secure the cabinet to the bracket using (3) 1/4" screws provided. Repeat the same procedure on the opposite side of the cabinet. See (Fig. 10).

B. Ensure the "L" shaped mounting channel is positioned in front of the sash. The bottom channel of the cabinet should be positioned in the track provided on the bracket assembly. Pull the window down until it rests just behind the front of the "L" shaped mounting channel. See (Fig. 11).

C. Check to make sure that the cabinet is slanted slightly downward on the outside. If necessary, re-adjust support bracket as shown in (Fig. 7).

7. Secure Shutters

A. Carefully slide the air conditioner back into the cabinet. (Please seek assistance for this procedure).
B. Reinstall the slide-out-chassis security screws (removed earlier) on both sides of the cabinet. See (Fig. 12).

Secure the top of the frames to the window sash with (2) 3/4" screws.

C. Now, secure bottom frame of shutters using one shutter clamp and one 3/4" screw on each side (Fig. 12).

8. Reinstalling Front Panel Assembly

A. Position the front panel on the cabinet starting at the top. The front panel lock tabs must be inserted into the retaining slots in the cabinet. Repeat this procedure on all sides.

B. Secure the front grille to the cabinet using the Philips screws removed earlier (Fig. 1).

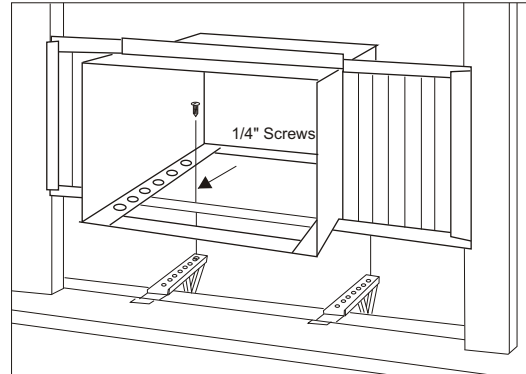


Fig. 10

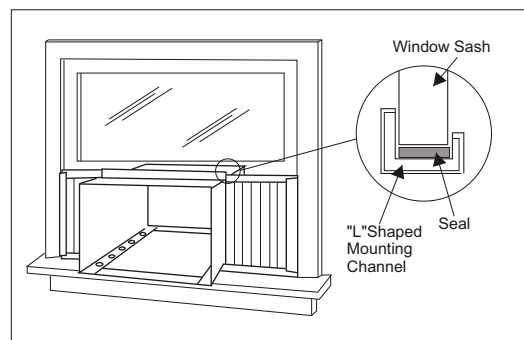


Fig. 11

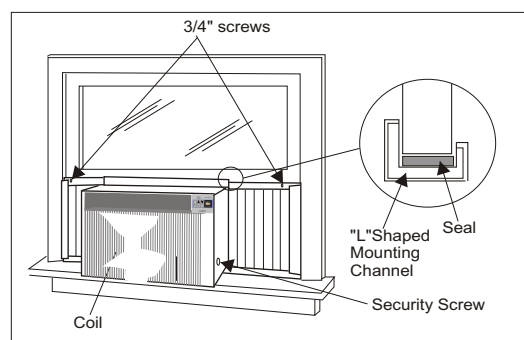


Fig. 12

Installation instructions

9. Complete the installation

A. Cut the **foam** to fit the opening between the top of the inside and outside window. See (Fig. 13).

B. Some installations may require additional sealing around the window and air conditioner. Check for any air leaks and seal where necessary.

C. In very humid areas, the water removal may be excessive enough to overflow the unit or increase the noise of the air conditioner. If this occurs, you may wish to attach a **drain hose (not included)** to the drain plug allowing condensations to run off conveniently. See (Fig. 14).

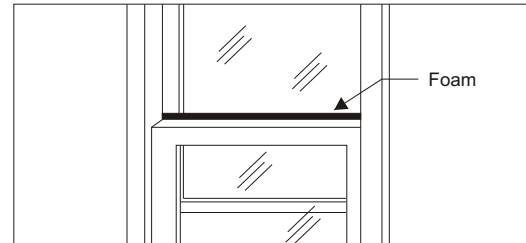


Fig. 13

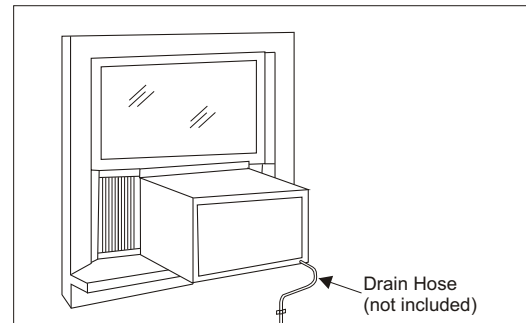


Fig. 14

Operating Instructions

► Mechanical control model

MODE

The mode knob controls fan speeds and cooling speeds. To set desired cooling temperature, simply rotate the mode knob dial to the appropriate setting.

THERMOSTAT

The thermostat automatically controls the cooling cycle (compressor) of the air conditioner to maintain room temperature. However, the fan motor will continue to operate after the compressor (cooling cycle) is completed.

LOW FAN will circulate the air at a minimum speed without cooling.

MED FAN will circulate the air at a middle speed without cooling.

HIGH FAN will circulate the air at a maximum speed without cooling.

LOW COOL provides cooling, automatically with minimum air circulation. Recommended for night-time use.

MED COOL provides cooling, automatically with middle air circulation. Recommended for night-time use.

HIGH COOL provides cooling, automatically with quick cooling or for extremely hot days. Once room is cooled, reduce setting to **LOW COOL**.

OFF will completely shut-off the unit.

NOTE: After setting the mode, allow 3 minutes before switching to another mode.

Fresh Air Ventilation is usually kept in the closed position. Use only when clearing smoke and/or odors from the room. Pull to open.

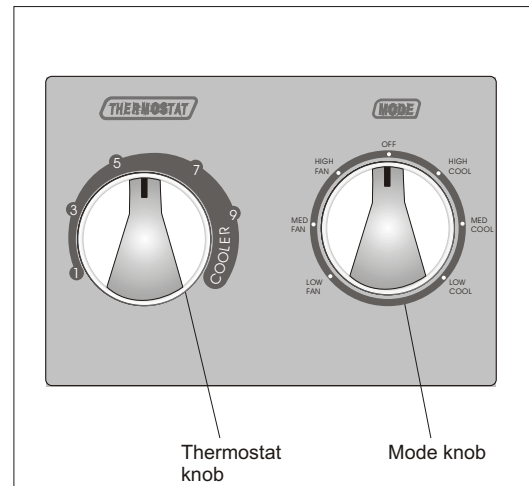


Fig. 15

⚠ CAUTION ⚠

When using FAN control, turn slowly allowing unit to adjust.

When using **THERMOSTAT**, be sure to allow three minutes before changing temperature. Adjusting too quickly may cause an overload resulting in a blown fuse.

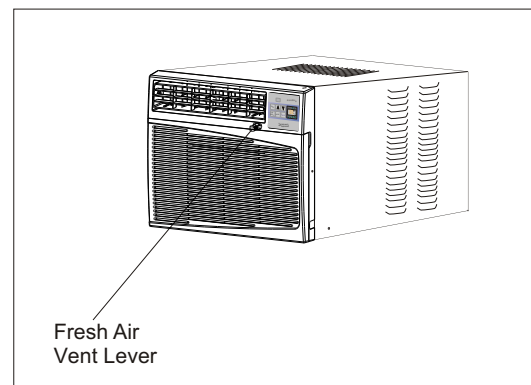


Fig. 16

Operating Instructions

► Electronic control panel model

You can easily operate this air conditioner by pressing relevant button on the control panel as well as the remote control.

⏻ Button

The air conditioner will be started when it is energized or will be stopped when it is in operation, if you press this button. When the air conditioner is heating, allow 3 minutes after you press this button.

Mode button

Each time MODE button is pressed, the operation mode is changed in sequence:

COOL: COOLING → FAN ONLY → ENERGY SAVING → COOLING

HEAT: COOLING → FAN ONLY → HEATING → ENERGY SAVING → COOLING

NOTE: After setting the mode, allow 3 minutes before switching to another mode.

In the FAN ONLY Mode, Room Temperature display range is from 0°C (32°F) to 38°C (99°F).

Room Temperature below 32°F, the Temperature display L0. Room Temperature above 99°F, the Temperature display H1.

Fan Speed button

Used to select fan speed in sequence auto, low, medium and high.

Timer button

Used to set or cancel timer operation.

When the unit is in operation, you can set OFF TIMER.

When the unit is off, you can set ON TIMER.

Timer setting range is 0 to 24 hours.

If the OFF TIMER is set, the timer LED displays

the remaining time to turn off the unit for only

12 seconds, then LED shifts to display set temperature. If you press TIMER button within the 12 seconds, OFF TIMER will be canceled.

If the ON TIMER is set, the timer LED displays the remaining time to turn on the unit. If you want to cancel ON TIMER, press TIMER button.

▲ ▼ Button

Used to set room temperature in COOLING mode or used to set time in TIMER mode.











If the two keys are pressed at the same time, the temperature LED display will alternate between °C and °F.

NOTE: Temperature setting range is from 19°C (66°F) to 31°C (88°F).

Control Panel



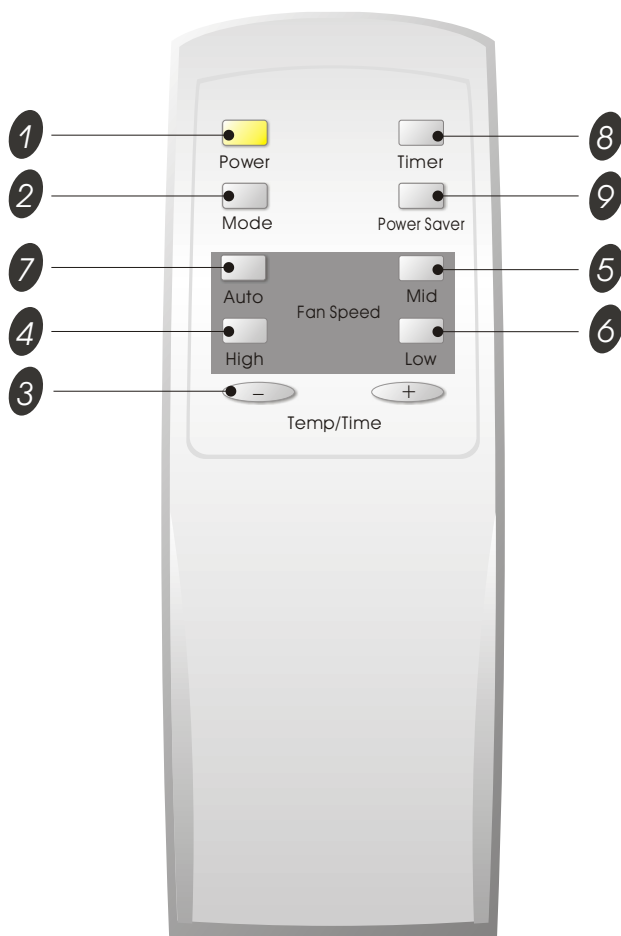
Indication symbols of LED on control panel:

- | | | |
|--|---|---|
|  Auto fan speed |  Cooling |  |
|  Low fan speed |  Fan only | |
|  Medium fan speed |  Heating | Display set temp
Display set timer |
|  High fan speed |  Energy-saving | |
| |  Timer | |

Above LED lights on when the relevant mode is in used.

Operating Instructions

► Remote control



1 Power BUTTON

The appliance will be started when it is energized or will be stopped when it is in operation, if you press this button.

2 Mode BUTTON

Used to select the operation mode.

3 + - BUTTONS

Used to set room temperature in Cooling mode or used to set time in Timer mode.

4 High BUTTON

Used to select the high fan speed mode.

5 Mid BUTTON

Used to select the Mid fan speed mode.

6 Low BUTTON

Used to select the Low fan speed mode.

7 Auto BUTTON

Used to select the Auto fan speed mode.

8 Timer BUTTON

Used to set or cancel timer operation.

9 Power Saver BUTTON

Used to select the Energy-saving mode.

- ☑ . When changing modes during operation, sometimes the unit does not always respond at once. Wait 3 minutes.
- . Wait 3 minutes before restarting the appliance.

Operating Instructions

► Remote control

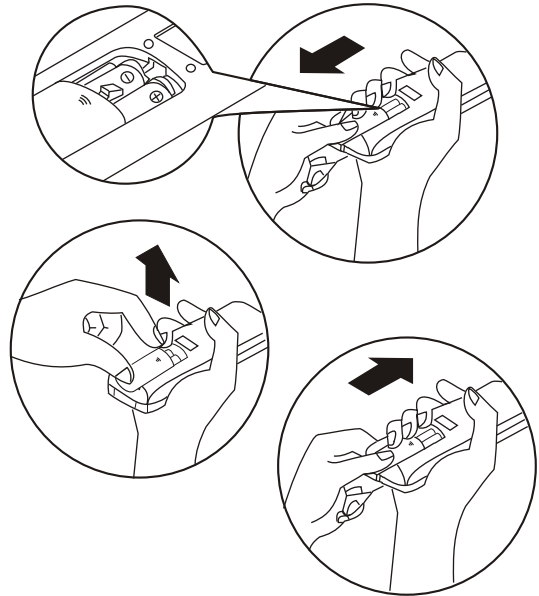
• How to Insert the Batteries

Remove the battery cover according to the arrow direction. Insert new batteries making sure that the (+) and (-) of battery are matched correctly.

Reattach the cover by sliding it back into position.

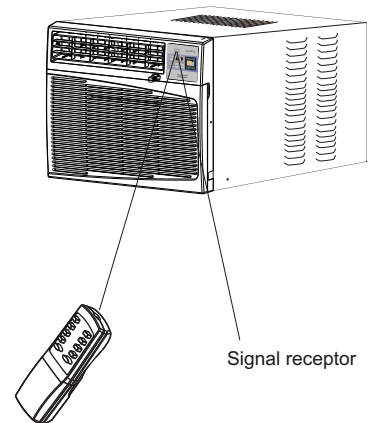
Note:

- Use 2 LR06 AA(1.5volt) batteries. Do not use rechargeable batteries. Replace batteries with new ones of the same type when the display becomes dim.
- If the replacement is done within 1 minute, the remote control will keep original presetting. (This function only for LCD remote control)



• How to Use

To operate the room air conditioner, aim the remote control to the signal receptor. The remote control will operate the air conditioner at a distance of up to 23 feet when pointing at signal receptor of unit.



Care and Maintenance

When servicing the air conditioner, be sure to turn the mode switch to the "OFF" position and disconnect the power cord from the electrical outlet.

1. **DO NOT** use gasoline, benzine, thinner or other chemicals on the air conditioner as these substances may cause damage to the paint finish and deformation of plastic parts.
2. Never attempt to pour water directly in front of the unit as this will cause deterioration of the electrical insulation.

Cleaning the Air Filter

Removal of Air Filter

If the air filter becomes clogged with dust, air-flow is obstructed and reduces efficiency. The air filter should be cleaned once a month. More frequent cleaning may be necessary depending on outdoor and indoor air quality.

Air Filter Removal:

The air filter on the above model is located behind the air intake front grill.

To remove the air filter, open the air inlet grille and take the air filter .

To reinstall the air filter, reverse the above procedure.



CAUTION



DO NOT forget to install the air filter. If the air conditioner is left to operate without the air filter, dust is not removed from the room and may cause your air conditioner to fail.

When the air filter inlet grill and cabinet are dirty, wipe with lukewarm water (below 40°C/104°F). Use of mild detergent is recommended.

Cleaning of Air Filter

1. Remove dust clogged in the filter by tapping it or vacuum clean it.
2. Wash the filter well with lukewarm water below 40°C (104°F) while rubbing lightly: To get better results, wash it with soapy water or a neutral cleaning agent.
3. Rinse the filter well using clean water then dry completely.

End-of-Season Care

1. Operate the fan alone for half a day to dry out the inside of the unit.
2. Turn off power and remove plug from wall socket.
3. Clean filter.
4. Store in a dry location.

Troubleshooting Guide

Frequently, a problem is minor and a service call may not be necessary, use this troubleshooting guide for a possible solution.

PROBLEM	POSSIBLE CAUSE	SUGGESTED SOLUTION
Air conditioner will not operate	No power to the unit.	Check connection of power cord to power source. Check fuse or circuit breaker. Set FAN CONTROL to position other than "OFF".
Inefficient or no cooling	Dirty air filter. Inappropriate capacity for application. Blocked air flow. Power interruption, settings change too quickly, or compressor overload tripped.	Clean or replace air filter. Check with dealer to determine proper unit capacity for application. Remove obstruction from grill or outdoor louvers. Let fan run to restart compressor (in approximately 10 minutes).
Noisy unit	Loose parts. Inadequate support.	Tighten loose parts. Provide additional support to unit.
Odors	Formation of mold, mildew, or algae on wet surfaces.	Remove drain plug and drain base pan. Replace drain plug. Clean unit thoroughly.
Water dripping outside	Condensation run-off is normal during hot and humid weather	Add flexible tubing to redirect water flow, see (Fig.14 Page 10.)
Water dripping inside	Unit is not properly angled to allow water to drain outside.	Unit must be installed on an angle for proper condensation run-off. Check the unit and make adjustments.
Ice or frost build-up	Low outside temperature. Unit air filter is dirty.	When outdoor temperature is approximately 65°F or below, frost may form when unit is in cooling mode. Switch unit to FAN (only) operation until frost melts. Remove and clean filter.

NOTE:

If circuit breaker is tripped repeatedly, or fuse is blown more than once, contact a licensed technician.

Sunbeam[®]

© 2006 Sunbeam Products, Inc. doing business as Jarden Consumer Solutions. All rights reserved. Sunbeam[®] is a registered trademark of Sunbeam Products, Inc. used under license. Distributed by Petters Consumer Brands, LLC. 4400 Baker Road, Minnetonka, MN 55343.

For service, support and warranty information, visit www.sunbeammajorappliances.com or in the US call 1-866-866-6283.